

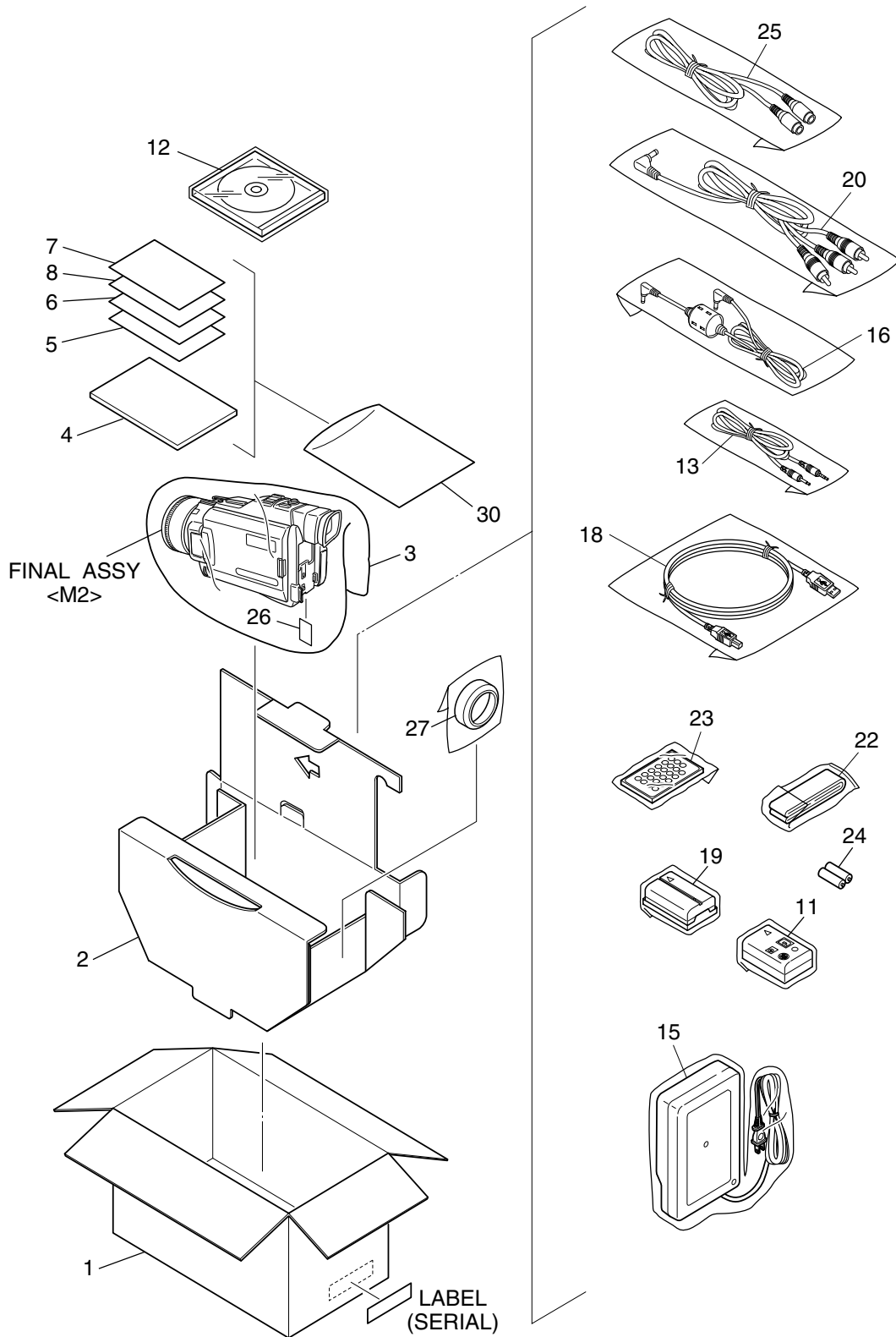
SECTION 5 PARTS LIST

SAFETY PRECAUTION

Parts identified by the  symbol are critical for safety. Replace only with specified part numbers.

5.1 PACKING AND ACCESSORY ASSEMBLY <M1>

The instruction manual to be provided with this product will differ according to the destination.



▲ REF No. PART No. PART NAME, DESCRIPTION

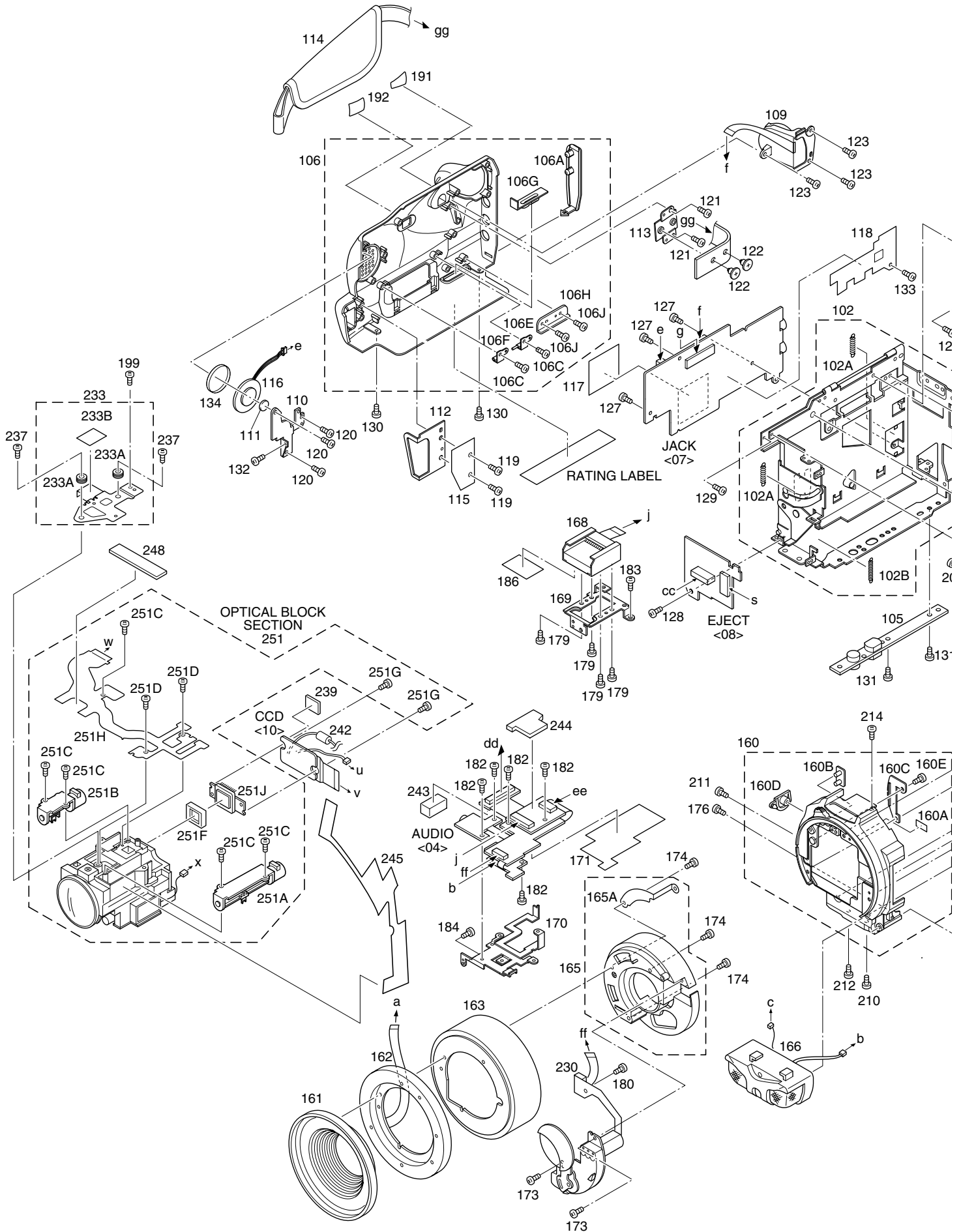
▲ REF No. PART No. PART NAME, DESCRIPTION

PACKING AND ACCESSORY ASSEMBLY <M1>

| | | |
|------|--------------|-----------------------------------|
| 1 | LY32164-004A | PACKING CASE |
| 2 | LY20666-001B | CUSION |
| 3 | LY30023-020A | POLY BAG |
| △ 4 | LYT0756-001A | IB(KO) |
| △ 5 | LYT0756-002A | IB(PRINTER.KO) |
| △ 6 | LYT0831-001A | IB(SOFT.KO) |
| 7 | LYT0162-024A | ACC.LEAFLET |
| 8 | LYT0378-003A | SHEET(AGREMENT) |
| 11 | LY20677-002B | JACK BOX |
| 12 | LY32210-001A | CD ROM |
| 13 | PEAC0428-150 | CABLE ASSY,EDITING CABLE |
| △ 15 | LY20591-010A | AC POWER ADAPTER/CHARGER,AA-V40KR |
| 16 | QAM0301-001 | DC CORD |
| 18 | QAM0322-001 | USB CABLE |
| △ 19 | LY31587-001A | BATTERY PACK,BN-V408U |
| 20 | QAM0211-001 | CABLE ASSY,AUDIO/VIDEO CABEL |
| 22 | LY20186-001A | SHOULDER STRAP |
| 23 | LY20543-002A | REMOTE CONTROL UNIT,RM-V716U |
| 24 | - | BATTERY,AAA(R03),X2 |
| 25 | QAM0004-004 | S VIDEO CABLE |
| 26 | QAM0321-002 | MULTIMEDIA CARD |
| 27 | LY32003-001B | LENS HOOD |
| 30 | QPA02003506 | POLY BAG |

- INSTRUCTIONS
- KO KOREAN

5.2 FINAL ASSEMBLY <M2>



△ REF No. PART No. PART NAME, DESCRIPTION

FINAL ASSEMBLY <M2>

| | | |
|-------|--------------|-----------------------|
| 101 | LY10266-001A | LOWER CASE |
| 102 | LY31964-001G | ARM ASSY |
| 102A | LY30002-046B | COMPRESSION SPRING,X2 |
| 102B | LY42814-001A | TENSION SPRING |
| 105 | LY31984-001B | BASE |
| △ 106 | LY20657-002C | CASSETTE COVER ASSY |
| 106A | LY31973-001A | JACK COVER |
| 106C | LY30018-021A | SPECIAL SCREW,X2 |
| 106E | LY32045-001A | HINGE ASSY(C) |
| 106F | LY32045-002A | HINGE ASSY(C) |
| 106G | LY42786-001A | KNOB(LOCK) |
| 106H | LY42787-001A | HOLDER(LOCK) |
| 106J | LY30018-037A | SPECIAL SCREW,X2 |
| 109 | LY20653-002A | POWER OPE.UNIT |
| 110 | LY31977-001A | HOLDER(SPK) |
| 111 | LY42918-001B | SPACER(SPK) |
| 112 | LY42788-001B | HOOK |
| 113 | LY42789-001B | BRACKET(GRIP BELT) |
| 114 | LY20658-002A | GRIP BELT |
| 115 | LY43019-001A | SHEET(GRIP BELT) |
| 116 | QAS0063-001 | SPEAKER |
| 117 | LY42878-001C | SHEET(MMC) |
| 118 | LY42881-001C | SPACER(JACK) |
| 119 | QYSLSF2050D | SCREW,X2 |
| 120 | LY30018-021A | SPECIAL SCREW,X3 |
| 121 | QYSLSF2040D | SCREW,X2 |
| 122 | LY30018-0C7A | SPECIAL SCREW,X2 |
| 123 | LY30018-0B7A | SPECIAL SCREW,X3 |
| 124 | LY30018-005A | SPECIAL SCREW,X2 |
| 125 | LY30018-080A | SPECIAL SCREW,X2 |
| 126 | LY30018-006B | SPECIAL SCREW,X3 |
| 127 | QYSPSPT1720R | SCREW,X3 |
| 128 | QYSPSPT1720R | SCREW |
| 129 | LY30018-0B7A | SPECIAL SCREW,X3 |
| 130 | LY30018-038A | SPECIAL SCREW,X2 |
| 131 | LY30018-006B | SPECIAL SCREW,X2 |
| 132 | LY30018-032A | SPECIAL SCREW |
| 133 | LY30018-0B7A | SPECIAL SCREW |
| 134 | LY40301-001A | SPACER(SPK) |
| △ 140 | LY20659-002B | UPPER CASE ASSY |
| 140A | LY31981-001A | BRACKET(HINGE) |
| 140B | LY30018-0A8A | SPECIAL SCREW,X3 |
| 140C | LY40162-001A | BRACKET,X2 |
| 140D | LY40664-001A | SPACER,X2 |
| 141 | LY30018-020A | SPECIAL SCREW,X3 |
| 142 | LY30018-042A | SPECIAL SCREW,X3 |
| 143 | LY30018-055A | SPECIAL SCREW,X2 |
| 144 | LY32051-002A | SUB OPE.UNIT |
| 150 | LY31986-002B | REAR COVER ASSY |
| 150A | LY31988-001D | KNOB(B.RELEASE) |
| 150B | LY31989-001A | BRACKET(B.RELEASE) |
| 150C | LY42792-001A | SHEET(REAR) |
| 150D | LY30002-048A | COMPRESSION SPRING |
| 150E | LY30018-066A | SPECIAL SCREW,X2 |
| 151 | LY31987-001A | BRACKET(TERM) |
| 152 | LY20660-001C | BATTERY TERMINAL UNIT |
| 153 | LY30018-038A | SPECIAL SCREW,X2 |
| 154 | LY30018-019A | SPECIAL SCREW,X3 |
| 155 | LY30018-060A | SPECIAL SCREW,X2 |
| 160 | LY20661-002A | FRONT COVER ASSY |
| 160A | LY30029-0B1A | SPACER(A) |
| 160B | LY31992-001A | LEVER(P/S) |
| 160C | LY31993-001A | HOLDER(P/S) |
| 160D | LY31995-001A | COVER(JACK) |
| 160E | LY30018-0A7A | SPECIAL SCREW |
| 161 | LY32009-001B | HOOD |
| 162 | LY20654-001A | FOCUS UNIT |
| 163 | LY31996-002A | COVER(OP) |
| 165 | LY42840-001B | FRAME ASSY |
| 165A | LY42841-001B | SHEET(EARTH) |
| 166 | LY20664-001B | MICROPHONE |
| 167 | LY31997-002A | COVER(MENU) |
| 168 | LY42949-001A | SHOE ASSY |
| 169 | LY31999-001A | BRACKET(H.S) |

△ REF No. PART No. PART NAME, DESCRIPTION

| | | |
|------|--------------|--------------------|
| 170 | LY20665-001A | BRACKET(AUDIO) |
| 171 | LY42913-001A | SHEET(AUDIO) |
| 172 | LY42920-001A | SHEET(FRONT) |
| 173 | LY30018-021A | SPECIAL SCREW,X2 |
| 174 | LY30018-0A1A | SPECIAL SCREW,X3 |
| 175 | LY30018-021A | SPECIAL SCREW |
| 176 | LY30018-037A | SPECIAL SCREW |
| 177 | LY30018-037A | SPECIAL SCREW,X2 |
| 178 | LY30018-021A | SPECIAL SCREW |
| 179 | LY30018-031A | SPECIAL SCREW,X4 |
| 180 | LY30018-052A | SPECIAL SCREW,X2 |
| 181 | LY30018-0C1A | SPECIAL SCREW,X2 |
| 182 | LY30018-032A | SPECIAL SCREW,X5 |
| 183 | LY30018-032A | SPECIAL SCREW |
| 184 | LY30018-021A | SPECIAL SCREW |
| 185 | LY10262-002A | ZOOM OPE.UNIT |
| 186 | LY30029-0D1A | SPACER(A) |
| 190 | LY41393-004A | COVER(JIG CONN) |
| 191 | LY42790-001B | COVER(CASS) |
| 192 | LY32039-001B | COVER(CASS.R) |
| 193 | LY40699-002A | LABEL(PUSH) |
| 194 | LY32001-002A | LABEL(HOUSING) |
| 195 | QYSPSPT1715Z | SCREW,X3 |
| 196 | LY30018-017A | SPECIAL SCREW |
| 197 | LY42424-001A | SPECIAL SCREW |
| 198 | LY30019-002A | SPECIAL SCREW |
| 199 | LY30018-006B | SPECIAL SCREW |
| 200 | LY30018-006B | SPECIAL SCREW |
| 201 | LY30018-059A | SPECIAL SCREW |
| 202 | LY30018-006B | SPECIAL SCREW,X2 |
| 203 | LY30018-0C2A | SPECIAL SCREW,X2 |
| 204 | LY30018-011A | SPECIAL SCREW |
| 205 | LY30018-044A | SPECIAL SCREW |
| 206 | LY30018-044A | SPECIAL SCREW,X4 |
| 207 | LY30018-006B | SPECIAL SCREW,X2 |
| 208 | LY30018-044A | SPECIAL SCREW |
| 209 | LY30018-011A | SPECIAL SCREW |
| 210 | LY30018-044A | SPECIAL SCREW |
| 211 | LY30018-059A | SPECIAL SCREW |
| 212 | LY30018-063A | SPECIAL SCREW |
| 213 | LY30018-006B | SPECIAL SCREW |
| 214 | LY30018-006B | SPECIAL SCREW |
| 215 | LY30018-059A | SPECIAL SCREW,X2 |
| 216 | LY30018-006B | SPECIAL SCREW,X3 |
| 217 | LY30018-006B | SPECIAL SCREW |
| 218 | LY30018-026A | SPECIAL SCREW |
| 219 | LY32072-001A | MENU SW UNIT |
| 220 | LY32071-001B | FRONT FPC UNIT |
| 230 | LY20676-001C | LENS SHUTTER ASSY |
| 231 | QAL0260-001 | FPC, JACK CN301 |
| 232 | LY32066-001A | BRACKET(MECHA)ASSY |
| 232A | LY42796-001A | BUSH,X3 |
| 233 | LY32067-001B | BRACKET(OP)ASSY |
| 233A | LY42796-001A | BUSH,X2 |
| 233B | LY30029-0C6A | SPACER(A) |
| 234 | LY32012-001B | SHIELD COVER(PR) |
| 235 | LY42889-001A | SHIELD(REG) |
| 236 | LY30019-028A | SPECIAL SCREW,X3 |
| 237 | LY30019-029B | SPECIAL SCREW,X2 |
| 238 | QYSPSPT1414M | SCREW,X5 |
| 239 | LY30029-0E6A | SPACER(A) |
| 242 | LY32194-001B | LUG WIRE ASSY |
| 243 | LY30029-0C8A | SPACER(A) |
| 244 | LY42952-001A | SHEET(AUDIO) |
| 245 | LY42951-001B | SHEET(OP) |
| 247 | QYSPSPT1712M | SCREW |
| 248 | LY30029-0F3A | SPACER(A) |
| 249 | LY42978-001B | SPACER (REG PWB) |

- OPTICAL BLOCK SECTION -

| | | |
|------|---------------|--------------------|
| 251 | J9C-101A | OPTICAL BLOCK ASSY |
| 251A | LY31901-001A | ZOOM MOTOR |
| 251B | LY31902-001A | FOCUS MOTOR |
| 251C | LY30727-002A | SCREW,X5 |
| 251D | LY30727-001A | SCREW,X2 |
| 251F | LY31900-001A | SPACER RUBBER |
| 251G | QYSPSGU1750Z | SCREW,X2 |
| 251H | LY31903-001A | IRIS MOTOR UNIT |
| 251J | LYH40136-001A | CCD BASE ASSY |

5.3 ELECTRICAL PARTS LIST

| # | △ | REF No. | PART No. | PART NAME, DESCRIPTION | # | △ | REF No. | PART No. | PART NAME, DESCRIPTION | |
|---------------------------------------|---|---------|----------|------------------------|---|---|---------|----------|------------------------|-----------------|
| ***** | | | | | | | | | | |
| MAIN BOARD ASSEMBLY <01> | | | | | | | | | | |
| | | | PW | YB10301B-05 | | | | Q1403 | UMC3N | TRANSISTOR |
| | | | IC1001 | YQ44899A | | | | Q1404 | DTC144EE | TRANSISTOR |
| | | | IC1002 | RS5C314 | | | | | or RN1104 | TRANSISTOR |
| | | | IC1003 | X25330S8I-2.5-X | | | | | or UN9213J | TRANSISTOR |
| | | | | or 25LC320-I/SN-X | | | | Q2001 | NDS352AP | MOS FET |
| | | | | or AT25320N-10SI-X | | | | Q2002 | 2SK1830 | MOS FET |
| | | | IC1004 | TC7W08FU | | | | Q3701 | DTC144EE | TRANSISTOR |
| | | | IC1005 | TC7W66FU | | | | | or RN1104 | TRANSISTOR |
| | | | IC1007 | MB90097PFV139 | | | | | or UN9213J | TRANSISTOR |
| | | | IC1008 | TC74VHC08FT | | | | Q3702 | 2SC4617/RS/-X | TRANSISTOR |
| | | | IC1201 | BA6417F | | | | Q3951 | UMZ1N | PAIR TRANSISTOR |
| | | | IC1301 | TC7SH32FU | | | | Q3952 | DTC144EE | TRANSISTOR |
| | | | IC1302 | TC7S02FU | | | | | or RN1104 | TRANSISTOR |
| | | | IC1401 | YQ44894A | | | | | or UN9213J | TRANSISTOR |
| | | | IC3001 | JCY0133 | | | | Q3953 | UMZ1N | PAIR TRANSISTOR |
| | | | IC3002 | JCY0136 | | | | Q3954 | 2SC4617/RS/-X | TRANSISTOR |
| | | | IC3302 | TLC2940IPW | | | | Q4351 | 2SA1832FT/G/-X | TRANSISTOR |
| | | | IC3701 | NJM2538V | | | | Q4352 | UMT2N | PAIR TRANSISTOR |
| | | | IC3702 | MM1385HN | | | | Q4353 | UMT2N | PAIR TRANSISTOR |
| | | | IC3901 | JCP8029 | | | | Q4354 | 2SA1832FT/G/-X | TRANSISTOR |
| | | | IC3903 | SN74AHC1G04K | | | | Q4801 | 2SC4655/BC/-X | TRANSISTOR |
| | | | | or TC7S04FU | | | | Q4802 | 2SC4617/RS/-X | TRANSISTOR |
| | | | IC3951 | MM1504XN | | | | Q4803 | DTC144EE | TRANSISTOR |
| | | | IC4201 | HD49325BHF | | | | | or RN1104 | TRANSISTOR |
| | | | IC4202 | RH5RZ31CA | | | | | or UN9213J | TRANSISTOR |
| | | | IC4301 | YQ44871A | | | | Q4804 | DTA144EE | TRANSISTOR |
| | | | IC4302 | MM1385NN | | | | | or RN2104 | TRANSISTOR |
| | | | IC4401 | BU2501FV | | | | | or UN9113J | TRANSISTOR |
| | | | IC4802 | TA75W01FU | | | | Q4851 | 2SC4617/RS/-X | TRANSISTOR |
| | | | IC4803 | TA75W01FU | | | | Q4901 | 2SC4655/BC/-X | TRANSISTOR |
| | | | IC4804 | NJM3414AV | | | | Q6001 | CPH3304 | MOS FET |
| | | | IC4805 | MM6564XFBE | | | | Q6002 | 2SK3019 | MOS FET |
| | | | IC4806 | TC7W00FK | | | | | or 2SK1830 | MOS FET |
| | | | IC4807 | TC7W66FK | | | | Q6003 | 2SJ347 | MOS FET |
| | | | IC4808 | TC7S66FU | | | | Q6004 | 2SK3019 | MOS FET |
| | | | IC4851 | UPD16879GS | | | | | or 2SK1830 | MOS FET |
| | | | IC4901 | TA75W01FU | | | | Q6005 | DTC144EE | TRANSISTOR |
| | | | IC4902 | TA75W01FU | | | | | or RN1104 | TRANSISTOR |
| | | | IC4903 | MM6564XFBE | | | | | or UN9213J | TRANSISTOR |
| | | | IC4904 | NJM3414AV | | | | Q6006 | CPH3304 | MOS FET |
| | | | IC5001 | JCY0138 | | | | Q6007 | RN47A3 | TRANSISTOR |
| | | | IC5002 | MM1385DN | | | | D1002 | DA221 | DIODE |
| | | | IC5004 | W194-70G-X | | | | D1201 | DAP222 | DIODE |
| | | | IC6001 | S-80842ANNP-W | | | | D1301 | RB715F | SB DIODE |
| | | | IC6002 | S-817A33ANB-W | | | | D2001 | EMZ6.8N | ZENER DIODE |
| | | | IC6003 | S-814A30AMC-W | | | | D2002 | EMZ6.8N | ZENER DIODE |
| | | | IC6004 | S-80826ANNP-W | | | | D2003 | EMZ6.8N | ZENER DIODE |
| | | | Q1001 | DTC143EE | | | | D2004 | EMZ6.8N | ZENER DIODE |
| | | | | or RN1101 | | | | D2005 | SBS006 | SB DIODE |
| | | | | or UN921LJ | | | | D3002 | EC2C01C | VARI CAP DIODE |
| | | | Q1002 | 2SC4617/QR/-X | | | | D3301 | EC2C01C | VARI CAP DIODE |
| | | | Q1003 | DTC124EE | | | | D3302 | EC2C01C | VARI CAP DIODE |
| | | | | or RN1103 | | | | D4101 | 1SS355 | DIODE |
| | | | | or UN9212J | | | | D4801 | DAN222 | DIODE |
| | | | Q1301 | 2SC4617/RS/-X | | | | D4802 | DAN222 | DIODE |
| | | | Q1401 | DTA114EE | | | | D4803 | DAN222 | DIODE |
| | | | | or RN2102 | | | | △ D6001 | RB706D-40-X | SB DIODE |
| | | | | or UN9111J | | | | D6002 | RB715F | SB DIODE |
| | | | Q1402 | UMC3N | | | | R1001 | NRSA6AJ-0R0W | MG RESISTOR |
| | | | | | | | | R1002 | NRSA6AJ-473W | MG RESISTOR |
| | | | | | | | | R1003 | NRSA6AJ-102W | MG RESISTOR |
| | | | | | | | | R1004 | NRSA6AJ-473W | MG RESISTOR |

| # | △ REF No. | PART No. | PART NAME, DESCRIPTION | # | △ REF No. | PART No. | PART NAME, DESCRIPTION |
|-------|-----------|--------------|-------------------------|-------|-----------|--------------|-------------------------|
| R1005 | | NRSA6AJ-473W | MG RESISTOR 47kΩ,1/16W | R1087 | | NRSA6AJ-473W | MG RESISTOR 47kΩ,1/16W |
| R1006 | | NRSA6AJ-104W | MG RESISTOR 100kΩ,1/16W | R1088 | | NRSA6AJ-473W | MG RESISTOR 47kΩ,1/16W |
| R1007 | | NRSA6AJ-472W | MG RESISTOR 4.7kΩ,1/16W | R1089 | | NRSA6AJ-473W | MG RESISTOR 47kΩ,1/16W |
| R1008 | | NRSA6AJ-103W | MG RESISTOR 10kΩ,1/16W | R1090 | | NRSA6AJ-473W | MG RESISTOR 47kΩ,1/16W |
| R1009 | | NRSA6AJ-224W | MG RESISTOR 220kΩ,1/16W | R1091 | | NRSA6AJ-102W | MG RESISTOR 1kΩ,1/16W |
| R1010 | | NRSA6AJ-334W | MG RESISTOR 330kΩ,1/16W | R1092 | | NRSA6AJ-222W | MG RESISTOR 2.2kΩ,1/16W |
| R1011 | | NRSA6AJ-473W | MG RESISTOR 47kΩ,1/16W | R1094 | | NRSA6AJ-154W | MG RESISTOR 150kΩ,1/16W |
| R1012 | | NRSA6AJ-102W | MG RESISTOR 1kΩ,1/16W | R1095 | | NRSA6AJ-272W | MG RESISTOR 2.7kΩ,1/16W |
| R1013 | | NRSA6AJ-0R0W | MG RESISTOR 0Ω,1/16W | R1096 | | NRSA6AJ-183W | MG RESISTOR 18kΩ,1/16W |
| R1014 | | NRSA6AJ-473W | MG RESISTOR 47kΩ,1/16W | R1097 | | NRSA6AJ-473W | MG RESISTOR 47kΩ,1/16W |
| R1015 | | NRSA6AJ-473W | MG RESISTOR 47kΩ,1/16W | R1098 | | NRSA6AJ-103W | MG RESISTOR 10kΩ,1/16W |
| R1016 | | NRSA6AJ-473W | MG RESISTOR 47kΩ,1/16W | R1099 | | NRSA6AJ-472W | MG RESISTOR 4.7kΩ,1/16W |
| R1017 | | NRSA6AJ-102W | MG RESISTOR 1kΩ,1/16W | R1105 | | NRSA6AJ-103W | MG RESISTOR 10kΩ,1/16W |
| R1018 | | NRSA6AJ-102W | MG RESISTOR 1kΩ,1/16W | R1110 | | NRSA6AJ-473W | MG RESISTOR 47kΩ,1/16W |
| R1019 | | NRSA6AJ-104W | MG RESISTOR 100kΩ,1/16W | R1111 | | NRSA6AJ-473W | MG RESISTOR 47kΩ,1/16W |
| R1020 | | NRSA6AJ-102W | MG RESISTOR 1kΩ,1/16W | R1112 | | NRSA6AJ-473W | MG RESISTOR 47kΩ,1/16W |
| R1021 | | NRSA6AJ-102W | MG RESISTOR 1kΩ,1/16W | R1113 | | NRSA6AJ-102W | MG RESISTOR 1kΩ,1/16W |
| R1023 | | NRSA6AJ-104W | MG RESISTOR 100kΩ,1/16W | R1114 | | NRSA6AJ-102W | MG RESISTOR 1kΩ,1/16W |
| R1024 | | NRSA6AJ-102W | MG RESISTOR 1kΩ,1/16W | R1115 | | NRSA6AJ-102W | MG RESISTOR 1kΩ,1/16W |
| R1025 | | NRSA6AJ-104W | MG RESISTOR 100kΩ,1/16W | R1116 | | NRSA6AJ-103W | MG RESISTOR 10kΩ,1/16W |
| R1026 | | NRSA6AJ-103W | MG RESISTOR 10kΩ,1/16W | R1201 | | NRSA6AJ-103W | MG RESISTOR 10kΩ,1/16W |
| R1027 | | NRSA6AJ-102W | MG RESISTOR 1kΩ,1/16W | R1202 | | NRSA6AJ-153W | MG RESISTOR 15kΩ,1/16W |
| R1028 | | NRSA6AJ-102W | MG RESISTOR 1kΩ,1/16W | R1301 | | NRSA6AJ-103W | MG RESISTOR 10kΩ,1/16W |
| R1029 | | NRSA6AJ-473W | MG RESISTOR 47kΩ,1/16W | R1303 | | NRSA6AJ-472W | MG RESISTOR 4.7kΩ,1/16W |
| R1030 | | NRSA6AJ-472W | MG RESISTOR 4.7kΩ,1/16W | R1401 | | NRSA6AJ-102W | MG RESISTOR 1kΩ,1/16W |
| R1033 | | NRSA6AJ-103W | MG RESISTOR 10kΩ,1/16W | R1402 | | NRSA6AJ-222W | MG RESISTOR 2.2kΩ,1/16W |
| R1034 | | NRSA6AJ-153W | MG RESISTOR 15kΩ,1/16W | R1403 | | NRSA6AJ-222W | MG RESISTOR 2.2kΩ,1/16W |
| R1035 | | NRSA6AJ-474W | MG RESISTOR 470kΩ,1/16W | R1408 | | NRSA6AJ-472W | MG RESISTOR 4.7kΩ,1/16W |
| R1036 | | NRSA6AJ-474W | MG RESISTOR 470kΩ,1/16W | R1409 | | NRSA6AJ-331W | MG RESISTOR 330Ω,1/16W |
| R1037 | | NRSA6AJ-474W | MG RESISTOR 470kΩ,1/16W | R1413 | | NRSA6AJ-331W | MG RESISTOR 330Ω,1/16W |
| R1038 | | NRSA6AJ-102W | MG RESISTOR 1kΩ,1/16W | R1414 | | NRSA6AJ-102W | MG RESISTOR 1kΩ,1/16W |
| R1040 | | NRSA6AJ-0R0W | MG RESISTOR 0Ω,1/16W | R1415 | | NRSA6AJ-102W | MG RESISTOR 1kΩ,1/16W |
| R1041 | | NRSA6AJ-103W | MG RESISTOR 10kΩ,1/16W | R1416 | | NRSA6AJ-102W | MG RESISTOR 1kΩ,1/16W |
| R1042 | | NRSA6AJ-102W | MG RESISTOR 1kΩ,1/16W | R1417 | | NRSA6AJ-102W | MG RESISTOR 1kΩ,1/16W |
| R1043 | | NRSA6AJ-103W | MG RESISTOR 10kΩ,1/16W | R1418 | | NRSA6AJ-221W | MG RESISTOR 220Ω,1/16W |
| R1044 | | NRSA6AJ-103W | MG RESISTOR 10kΩ,1/16W | R1419 | | NRSA6AJ-221W | MG RESISTOR 220Ω,1/16W |
| R1045 | | NRSA6AJ-0R0W | MG RESISTOR 0Ω,1/16W | R1420 | | NRSA6AJ-473W | MG RESISTOR 47kΩ,1/16W |
| R1046 | | NRSA6AJ-473W | MG RESISTOR 47kΩ,1/16W | R1422 | | NRSA6AJ-332W | MG RESISTOR 3.3kΩ,1/16W |
| R1047 | | NRSA6AJ-473W | MG RESISTOR 47kΩ,1/16W | R1423 | | NRSA6AJ-332W | MG RESISTOR 3.3kΩ,1/16W |
| R1048 | | NRSA6AJ-103W | MG RESISTOR 10kΩ,1/16W | R1424 | | NRSA6AJ-332W | MG RESISTOR 3.3kΩ,1/16W |
| R1049 | | NRSA6AJ-0R0W | MG RESISTOR 0Ω,1/16W | R1425 | | NRVA6AD-753W | CMF RESISTOR 75kΩ,1/16W |
| R1050 | | NRSA6AJ-222W | MG RESISTOR 2.2kΩ,1/16W | R1426 | | NRSA6AJ-334W | MG RESISTOR 330kΩ,1/16W |
| R1051 | | NRSA6AJ-222W | MG RESISTOR 2.2kΩ,1/16W | R1429 | | NRSA6AJ-102W | MG RESISTOR 1kΩ,1/16W |
| R1052 | | NRSA6AJ-331W | MG RESISTOR 330Ω,1/16W | R1430 | | NRSA6AJ-102W | MG RESISTOR 1kΩ,1/16W |
| R1056 | | NRSA6AJ-331W | MG RESISTOR 330Ω,1/16W | R1437 | | NRSA6AJ-0R0W | MG RESISTOR 0Ω,1/16W |
| R1066 | | NRSA6AJ-0R0W | MG RESISTOR 0Ω,1/16W | R1439 | | NRSA6AJ-332W | MG RESISTOR 3.3kΩ,1/16W |
| R1067 | | NRSA6AJ-0R0W | MG RESISTOR 0Ω,1/16W | R1440 | | NRSA6AJ-332W | MG RESISTOR 3.3kΩ,1/16W |
| R1068 | | NRSA6AJ-0R0W | MG RESISTOR 0Ω,1/16W | R1441 | | NRSA6AJ-332W | MG RESISTOR 3.3kΩ,1/16W |
| R1069 | | NRSA6AJ-0R0W | MG RESISTOR 0Ω,1/16W | R1442 | | NRSA6AJ-332W | MG RESISTOR 3.3kΩ,1/16W |
| R1071 | | NRSA6AJ-0R0W | MG RESISTOR 0Ω,1/16W | R1443 | | NRSA6AJ-102W | MG RESISTOR 1kΩ,1/16W |
| R1072 | | NRSA6AJ-101W | MG RESISTOR 100Ω,1/16W | R1444 | | NRSA6AJ-102W | MG RESISTOR 1kΩ,1/16W |
| R1073 | | NRSA6AJ-101W | MG RESISTOR 100Ω,1/16W | R1445 | | NRSA6AJ-101W | MG RESISTOR 100Ω,1/16W |
| R1075 | | NRSA6AJ-102W | MG RESISTOR 1kΩ,1/16W | R2001 | | NRSA6AJ-104W | MG RESISTOR 100kΩ,1/16W |
| R1076 | | NRSA6AJ-102W | MG RESISTOR 1kΩ,1/16W | R2003 | | NRSA6AJ-0R0W | MG RESISTOR 0Ω,1/16W |
| R1077 | | NRSA6AJ-102W | MG RESISTOR 1kΩ,1/16W | R2005 | | NRSA6AJ-0R0W | MG RESISTOR 0Ω,1/16W |
| R1079 | | NRSA6AJ-103W | MG RESISTOR 10kΩ,1/16W | R2009 | | NRSA6AJ-103W | MG RESISTOR 10kΩ,1/16W |
| R1080 | | NRSA6AJ-104W | MG RESISTOR 100kΩ,1/16W | R2010 | | NRSA6AJ-103W | MG RESISTOR 10kΩ,1/16W |
| R1081 | | NRSA6AJ-223W | MG RESISTOR 22kΩ,1/16W | R2011 | | NRSA6AJ-103W | MG RESISTOR 10kΩ,1/16W |
| R1082 | | NRSA6AJ-393W | MG RESISTOR 39kΩ,1/16W | R2013 | | NRSA6AJ-103W | MG RESISTOR 10kΩ,1/16W |
| R1083 | | NRSA6AJ-104W | MG RESISTOR 100kΩ,1/16W | R2014 | | NRSA6AJ-102W | MG RESISTOR 1kΩ,1/16W |
| R1084 | | NRSA6AJ-103W | MG RESISTOR 10kΩ,1/16W | R2015 | | NRSA63J-0R0X | MG RESISTOR 0Ω,1/16W |
| R1085 | | NRSA6AJ-822W | MG RESISTOR 8.2kΩ,1/16W | R2017 | | NRSA6AJ-103W | MG RESISTOR 10kΩ,1/16W |
| R1086 | | NRSA6AJ-123W | MG RESISTOR 12kΩ,1/16W | R2018 | | NRSA6AJ-103W | MG RESISTOR 10kΩ,1/16W |

| # | △ REF No. | PART No. | PART NAME, DESCRIPTION | # | △ REF No. | PART No. | PART NAME, DESCRIPTION | |
|---|-----------|--------------|------------------------|--------------|-----------|--------------|------------------------|--------------|
| | R2019 | NRSA6AJ-103W | MG RESISTOR | 10kΩ, 1/16W | R3954 | NRSA6AJ-222W | MG RESISTOR | 2.2kΩ, 1/16W |
| | R2020 | NRSA6AJ-103W | MG RESISTOR | 10kΩ, 1/16W | R3955 | NRSA6AJ-102W | MG RESISTOR | 1kΩ, 1/16W |
| | R3001 | NRSA6AJ-151W | MG RESISTOR | 150Ω, 1/16W | R3956 | NRSA6AJ-474W | MG RESISTOR | 470kΩ, 1/16W |
| | R3002 | NRSA6AJ-272W | MG RESISTOR | 2.7kΩ, 1/16W | R3961 | NRVA6AD-561W | CMF RESISTOR | 560Ω, 1/16W |
| | R3003 | NRSA6AJ-151W | MG RESISTOR | 150Ω, 1/16W | R3962 | NRSA6AJ-822W | MG RESISTOR | 8.2kΩ, 1/16W |
| | R3004 | NRSA6AJ-562W | MG RESISTOR | 5.6kΩ, 1/16W | R3963 | NRVA6AD-182W | CMF RESISTOR | 1.8kΩ, 1/16W |
| | R3005 | NRSA6AJ-222W | MG RESISTOR | 2.2kΩ, 1/16W | R3964 | NRSA6AJ-183W | MG RESISTOR | 18kΩ, 1/16W |
| | R3006 | NRSA6AJ-222W | MG RESISTOR | 2.2kΩ, 1/16W | R3965 | NRSA6AJ-183W | MG RESISTOR | 18kΩ, 1/16W |
| | R3007 | NRSA6AJ-224W | MG RESISTOR | 220kΩ, 1/16W | R3966 | NRSA6AJ-681W | MG RESISTOR | 680Ω, 1/16W |
| | R3008 | NRSA6AJ-103W | MG RESISTOR | 10kΩ, 1/16W | R3967 | NRSA6AJ-821W | MG RESISTOR | 820Ω, 1/16W |
| | R3009 | NRSA6AJ-103W | MG RESISTOR | 10kΩ, 1/16W | R3968 | NRSA6AJ-821W | MG RESISTOR | 820Ω, 1/16W |
| | R3015 | NRSA6AJ-242W | MG RESISTOR | 2.4kΩ, 1/16W | R3969 | NRSA6AJ-102W | MG RESISTOR | 1kΩ, 1/16W |
| | R3016 | NRSA6AJ-392W | MG RESISTOR | 3.9kΩ, 1/16W | R4101 | NRSA6AJ-104W | MG RESISTOR | 100kΩ, 1/16W |
| | R3017 | NRSA6AJ-392W | MG RESISTOR | 3.9kΩ, 1/16W | R4203 | NRSA6AJ-220W | MG RESISTOR | 22Ω, 1/16W |
| | R3018 | NRVA6AD-560W | CMF RESISTOR | 56Ω, 1/16W | R4204 | NRSA6AJ-223W | MG RESISTOR | 22kΩ, 1/16W |
| | R3019 | NRVA6AD-560W | CMF RESISTOR | 56Ω, 1/16W | R4211 | NRSA6AJ-221W | MG RESISTOR | 220Ω, 1/16W |
| | R3020 | NRVA6AD-560W | CMF RESISTOR | 56Ω, 1/16W | R4212 | NRSA6AJ-221W | MG RESISTOR | 220Ω, 1/16W |
| | R3021 | NRVA6AD-560W | CMF RESISTOR | 56Ω, 1/16W | R4213 | NRSA6AJ-221W | MG RESISTOR | 220Ω, 1/16W |
| | R3022 | NRVA6AD-512W | CMF RESISTOR | 5.1kΩ, 1/16W | R4214 | NRSA6AJ-221W | MG RESISTOR | 220Ω, 1/16W |
| | R3023 | NRSA6AJ-103W | MG RESISTOR | 10kΩ, 1/16W | R4215 | NRSA6AJ-221W | MG RESISTOR | 220Ω, 1/16W |
| | R3024 | NRSA6AJ-105W | MG RESISTOR | 1MΩ, 1/16W | R4216 | NRSA6AJ-221W | MG RESISTOR | 220Ω, 1/16W |
| | R3025 | NRSA6AJ-222W | MG RESISTOR | 2.2kΩ, 1/16W | R4217 | NRSA6AJ-221W | MG RESISTOR | 220Ω, 1/16W |
| | R3026 | NRSA6AJ-102W | MG RESISTOR | 1kΩ, 1/16W | R4218 | NRSA6AJ-221W | MG RESISTOR | 220Ω, 1/16W |
| | R3027 | NRSA6AJ-102W | MG RESISTOR | 1kΩ, 1/16W | R4219 | NRSA6AJ-221W | MG RESISTOR | 220Ω, 1/16W |
| | R3029 | NRSA6AJ-561W | MG RESISTOR | 560Ω, 1/16W | R4220 | NRSA6AJ-221W | MG RESISTOR | 220Ω, 1/16W |
| | R3030 | NRSA6AJ-392W | MG RESISTOR | 3.9kΩ, 1/16W | R4302 | NRSA6AJ-330W | MG RESISTOR | 33Ω, 1/16W |
| | R3044 | NRSA6AJ-0R0W | MG RESISTOR | 0Ω, 1/16W | R4303 | NRSA6AJ-101W | MG RESISTOR | 100Ω, 1/16W |
| | R3051 | NRSA6AJ-0R0W | MG RESISTOR | 0Ω, 1/16W | R4304 | NRSA6AJ-101W | MG RESISTOR | 100Ω, 1/16W |
| | R3054 | NRSA6AJ-0R0W | MG RESISTOR | 0Ω, 1/16W | R4305 | NRSA6AJ-101W | MG RESISTOR | 100Ω, 1/16W |
| | R3059 | NRSA6AJ-103W | MG RESISTOR | 10kΩ, 1/16W | R4306 | NRSA6AJ-101W | MG RESISTOR | 100Ω, 1/16W |
| | R3060 | NRSA6AJ-272W | MG RESISTOR | 2.7kΩ, 1/16W | R4307 | NRSA6AJ-220W | MG RESISTOR | 22Ω, 1/16W |
| | R3061 | NRSA6AJ-103W | MG RESISTOR | 10kΩ, 1/16W | R4308 | NRSA6AJ-220W | MG RESISTOR | 22Ω, 1/16W |
| | R3062 | NRSA6AJ-103W | MG RESISTOR | 10kΩ, 1/16W | R4318 | NRSA6AJ-101W | MG RESISTOR | 100Ω, 1/16W |
| | R3063 | NRSA6AJ-103W | MG RESISTOR | 10kΩ, 1/16W | R4320 | NRSA6AJ-220W | MG RESISTOR | 22Ω, 1/16W |
| | R3064 | NRSA6AJ-103W | MG RESISTOR | 10kΩ, 1/16W | R4321 | NRSA6AJ-220W | MG RESISTOR | 22Ω, 1/16W |
| | R3311 | NRVA6AD-222W | CMF RESISTOR | 2.2kΩ, 1/16W | R4322 | NRSA6AJ-333W | MG RESISTOR | 33kΩ, 1/16W |
| | R3313 | NRSA6AJ-105W | MG RESISTOR | 1MΩ, 1/16W | R4323 | NRSA6AJ-333W | MG RESISTOR | 33kΩ, 1/16W |
| | R3314 | NRSA6AJ-101W | MG RESISTOR | 100Ω, 1/16W | R4328 | NRSA6AJ-220W | MG RESISTOR | 22Ω, 1/16W |
| | R3318 | NRSA6AJ-224W | MG RESISTOR | 220kΩ, 1/16W | R4329 | NRSA6AJ-220W | MG RESISTOR | 22Ω, 1/16W |
| | R3319 | NRSA6AJ-224W | MG RESISTOR | 220kΩ, 1/16W | R4330 | NRSA6AJ-470W | MG RESISTOR | 47Ω, 1/16W |
| | R3331 | NRSA6AJ-103W | MG RESISTOR | 10kΩ, 1/16W | R4331 | NRSA6AJ-220W | MG RESISTOR | 22Ω, 1/16W |
| | R3338 | NRSA6AJ-220W | MG RESISTOR | 22Ω, 1/16W | R4332 | NRSA6AJ-220W | MG RESISTOR | 22Ω, 1/16W |
| | R3341 | NRSA6AJ-0R0W | MG RESISTOR | 0Ω, 1/16W | R4333 | NRSA6AJ-220W | MG RESISTOR | 22Ω, 1/16W |
| | R3701 | NRSA6AJ-225W | MG RESISTOR | 2.2MΩ, 1/16W | R4334 | NRSA6AJ-220W | MG RESISTOR | 22Ω, 1/16W |
| | R3702 | NRSA6AJ-103W | MG RESISTOR | 10kΩ, 1/16W | R4335 | NRSA6AJ-220W | MG RESISTOR | 22Ω, 1/16W |
| | R3703 | NRSA6AJ-203W | MG RESISTOR | 20kΩ, 1/16W | R4337 | NRSA6AJ-152W | MG RESISTOR | 1.5kΩ, 1/16W |
| | R3704 | NRSA6AJ-103W | MG RESISTOR | 10kΩ, 1/16W | R4342 | NRSA6AJ-220W | MG RESISTOR | 22Ω, 1/16W |
| | R3706 | NRSA6AJ-121W | MG RESISTOR | 120Ω, 1/16W | R4343 | NRSA6AJ-220W | MG RESISTOR | 22Ω, 1/16W |
| | R3707 | NRSA6AJ-121W | MG RESISTOR | 120Ω, 1/16W | R4344 | NRSA6AJ-220W | MG RESISTOR | 22Ω, 1/16W |
| | R3708 | NRSA6AJ-103W | MG RESISTOR | 10kΩ, 1/16W | R4345 | NRSA6AJ-220W | MG RESISTOR | 22Ω, 1/16W |
| | R3709 | NRSA6AJ-224W | MG RESISTOR | 220kΩ, 1/16W | R4346 | NRSA6AJ-220W | MG RESISTOR | 22Ω, 1/16W |
| | R3710 | NRSA6AJ-103W | MG RESISTOR | 10kΩ, 1/16W | R4347 | NRSA6AJ-220W | MG RESISTOR | 22Ω, 1/16W |
| | R3712 | NRSA6AJ-680W | MG RESISTOR | 68Ω, 1/16W | R4348 | NRSA6AJ-220W | MG RESISTOR | 22Ω, 1/16W |
| | R3713 | NRSA6AJ-680W | MG RESISTOR | 68Ω, 1/16W | R4349 | NRSA6AJ-220W | MG RESISTOR | 22Ω, 1/16W |
| | R3714 | NRSA6AJ-101W | MG RESISTOR | 100Ω, 1/16W | R4356 | NRVA6AD-272W | CMF RESISTOR | 2.7kΩ, 1/16W |
| | R3715 | NRSA6AJ-472W | MG RESISTOR | 4.7kΩ, 1/16W | R4358 | NRVA6AD-272W | CMF RESISTOR | 2.7kΩ, 1/16W |
| | R3716 | NRSA6AJ-472W | MG RESISTOR | 4.7kΩ, 1/16W | R4360 | NRVA6AD-272W | CMF RESISTOR | 2.7kΩ, 1/16W |
| | R3901 | NRVA6AD-821W | CMF RESISTOR | 820Ω, 1/16W | R4362 | NRVA6AD-272W | CMF RESISTOR | 2.7kΩ, 1/16W |
| | R3902 | NRVA6AD-273W | CMF RESISTOR | 27kΩ, 1/16W | R4363 | NRSA6AJ-153W | MG RESISTOR | 15kΩ, 1/16W |
| | R3903 | NRVA6AD-153W | CMF RESISTOR | 15kΩ, 1/16W | R4364 | NRSA6AJ-103W | MG RESISTOR | 10kΩ, 1/16W |
| | R3904 | NRVA6AD-821W | CMF RESISTOR | 820Ω, 1/16W | R4367 | NRSA6AJ-102W | MG RESISTOR | 1kΩ, 1/16W |
| | R3951 | NRVA6AD-561W | CMF RESISTOR | 560Ω, 1/16W | R4369 | NRVA6AD-201W | CMF RESISTOR | 200Ω, 1/16W |
| | R3953 | NRVA6AD-152W | CMF RESISTOR | 1.5kΩ, 1/16W | R4370 | NRSA6AJ-102W | MG RESISTOR | 1kΩ, 1/16W |

| # | △ REF No. | PART No. | PART NAME, DESCRIPTION | # | △ REF No. | PART No. | PART NAME, DESCRIPTION | |
|-------|-----------|--------------|------------------------|-------------|-----------|--------------|------------------------|-------------|
| R4371 | | NRVA6AD-201W | CMF RESISTOR | 200Ω,1/16W | R4911 | NRSA6AJ-472W | MG RESISTOR | 4.7kΩ,1/16W |
| R4372 | | NRSA6AJ-222W | MG RESISTOR | 2.2kΩ,1/16W | R4912 | NRSA6AJ-103W | MG RESISTOR | 10kΩ,1/16W |
| R4373 | | NRSA6AJ-222W | MG RESISTOR | 2.2kΩ,1/16W | R4913 | NRSA6AJ-104W | MG RESISTOR | 100kΩ,1/16W |
| R4374 | | NRVA6AD-201W | CMF RESISTOR | 200Ω,1/16W | R4914 | NRSA6AJ-104W | MG RESISTOR | 100kΩ,1/16W |
| R4375 | | NRVA6AD-271W | CMF RESISTOR | 270Ω,1/16W | R4915 | NRSA6AJ-472W | MG RESISTOR | 4.7kΩ,1/16W |
| R4376 | | NRSA6AJ-222W | MG RESISTOR | 2.2kΩ,1/16W | R4916 | NRSA6AJ-333W | MG RESISTOR | 33kΩ,1/16W |
| R4378 | | NRSA6AJ-222W | MG RESISTOR | 2.2kΩ,1/16W | R4917 | NRSA6AJ-102W | MG RESISTOR | 1kΩ,1/16W |
| R4379 | | NRVA6AD-333W | CMF RESISTOR | 33kΩ,1/16W | R4918 | NRSA6AJ-183W | MG RESISTOR | 18kΩ,1/16W |
| R4383 | | NRVA6AD-271W | CMF RESISTOR | 270Ω,1/16W | R4919 | NRSA6AJ-122W | MG RESISTOR | 1.2kΩ,1/16W |
| R4390 | | NRSA6AJ-103W | MG RESISTOR | 10kΩ,1/16W | R4920 | NRSA6AJ-104W | MG RESISTOR | 100kΩ,1/16W |
| R4805 | | NRSA6AJ-103W | MG RESISTOR | 10kΩ,1/16W | R4921 | NRSA6AJ-151W | MG RESISTOR | 150Ω,1/16W |
| R4806 | | NRSA6AJ-823W | MG RESISTOR | 82kΩ,1/16W | R4922 | NRSA6AJ-103W | MG RESISTOR | 10kΩ,1/16W |
| R4807 | | NRSA6AJ-683W | MG RESISTOR | 68kΩ,1/16W | R4923 | NRSA6AJ-103W | MG RESISTOR | 10kΩ,1/16W |
| R4808 | | NRSA6AJ-243W | MG RESISTOR | 24kΩ,1/16W | R4924 | NRSA6AJ-564W | MG RESISTOR | 560kΩ,1/16W |
| R4809 | | NRSA6AJ-561W | MG RESISTOR | 560Ω,1/16W | R4926 | NRSA6AJ-333W | MG RESISTOR | 33kΩ,1/16W |
| R4810 | | NRSA6AJ-103W | MG RESISTOR | 10kΩ,1/16W | R5002 | NRVA6AD-100W | CMF RESISTOR | 10Ω,1/16W |
| R4811 | | NRSA6AJ-684W | MG RESISTOR | 680kΩ,1/16W | R5003 | NRVA6AD-100W | CMF RESISTOR | 10Ω,1/16W |
| R4812 | | NRSA6AJ-153W | MG RESISTOR | 15kΩ,1/16W | R5004 | NRVA6AD-100W | CMF RESISTOR | 10Ω,1/16W |
| R4814 | | NRSA6AJ-105W | MG RESISTOR | 1MΩ,1/16W | R5005 | NRVA6AD-100W | CMF RESISTOR | 10Ω,1/16W |
| R4815 | | NRSA6AJ-472W | MG RESISTOR | 4.7kΩ,1/16W | R5006 | NRVA6AD-100W | CMF RESISTOR | 10Ω,1/16W |
| R4816 | | NRSA6AJ-185W | MG RESISTOR | 1.8MΩ,1/16W | R5007 | NRVA6AD-100W | CMF RESISTOR | 10Ω,1/16W |
| R4819 | | NRSA6AJ-103W | MG RESISTOR | 10kΩ,1/16W | R5011 | NRSA6AJ-330W | MG RESISTOR | 33Ω,1/16W |
| R4820 | | NRSA6AJ-104W | MG RESISTOR | 100kΩ,1/16W | R5016 | NRSA6AJ-220W | MG RESISTOR | 22Ω,1/16W |
| R4821 | | NRSA6AJ-104W | MG RESISTOR | 100kΩ,1/16W | R5017 | NRSA6AJ-220W | MG RESISTOR | 22Ω,1/16W |
| R4822 | | NRSA6AJ-333W | MG RESISTOR | 33kΩ,1/16W | R5021 | NRVA6AD-101W | CMF RESISTOR | 100Ω,1/16W |
| R4823 | | NRSA6AJ-102W | MG RESISTOR | 1kΩ,1/16W | R5023 | NRSA6AJ-220W | MG RESISTOR | 22Ω,1/16W |
| R4824 | | NRSA6AJ-472W | MG RESISTOR | 4.7kΩ,1/16W | R5024 | NRSA6AJ-220W | MG RESISTOR | 22Ω,1/16W |
| R4825 | | NRSA6AJ-183W | MG RESISTOR | 18kΩ,1/16W | R5025 | NRSA6AJ-330W | MG RESISTOR | 33Ω,1/16W |
| R4826 | | NRSA6AJ-333W | MG RESISTOR | 33kΩ,1/16W | R5026 | NRSA6AJ-330W | MG RESISTOR | 33Ω,1/16W |
| R4828 | | NRSA6AJ-122W | MG RESISTOR | 1.2kΩ,1/16W | R5027 | NRSA6AJ-330W | MG RESISTOR | 33Ω,1/16W |
| R4831 | | NRSA6AJ-472W | MG RESISTOR | 4.7kΩ,1/16W | R5028 | NRSA6AJ-330W | MG RESISTOR | 33Ω,1/16W |
| R4832 | | NRSA6AJ-103W | MG RESISTOR | 10kΩ,1/16W | R5029 | NRSA6AJ-220W | MG RESISTOR | 22Ω,1/16W |
| R4833 | | NRSA6AJ-104W | MG RESISTOR | 100kΩ,1/16W | R6001 | NRSA6AJ-104W | MG RESISTOR | 100kΩ,1/16W |
| R4834 | | NRSA6AJ-103W | MG RESISTOR | 10kΩ,1/16W | R6002 | NRVA6AD-183W | CMF RESISTOR | 18kΩ,1/16W |
| R4835 | | NRSA6AJ-103W | MG RESISTOR | 10kΩ,1/16W | R6003 | NRSA6AJ-104W | MG RESISTOR | 100kΩ,1/16W |
| R4836 | | NRSA6AJ-151W | MG RESISTOR | 150Ω,1/16W | R6004 | NRSA6AJ-102W | MG RESISTOR | 1kΩ,1/16W |
| R4837 | | NRSA6AJ-102W | MG RESISTOR | 1kΩ,1/16W | R6005 | NRSA6AJ-224W | MG RESISTOR | 220kΩ,1/16W |
| R4838 | | NRSA6AJ-470W | MG RESISTOR | 47Ω,1/16W | R6006 | NRSA6AJ-104W | MG RESISTOR | 100kΩ,1/16W |
| R4841 | | NRSA6AJ-564W | MG RESISTOR | 560kΩ,1/16W | R6007 | NRSA6AJ-104W | MG RESISTOR | 100kΩ,1/16W |
| R4846 | | NRSA6AJ-0R0W | MG RESISTOR | 0Ω,1/16W | R6009 | NRSA6AJ-222W | MG RESISTOR | 2.2kΩ,1/16W |
| R4856 | | NRSA6AJ-6R8W | MG RESISTOR | 6.8Ω,1/16W | R6010 | NRSA6AJ-104W | MG RESISTOR | 100kΩ,1/16W |
| R4857 | | NRSA6AJ-6R8W | MG RESISTOR | 6.8Ω,1/16W | R6011 | NRSA6AJ-104W | MG RESISTOR | 100kΩ,1/16W |
| R4858 | | NRSA6AJ-333W | MG RESISTOR | 33kΩ,1/16W | R6012 | NRVA6AD-823W | CMF RESISTOR | 82kΩ,1/16W |
| R4860 | | NRSA6AJ-0R0W | MG RESISTOR | 0Ω,1/16W | R6013 | NRVA6AD-473W | CMF RESISTOR | 47kΩ,1/16W |
| R4862 | | NRSA6AJ-6R8W | MG RESISTOR | 6.8Ω,1/16W | △ R6017 | NRSA63J-102X | MG RESISTOR | 1kΩ,1/16W |
| R4863 | | NRSA6AJ-6R8W | MG RESISTOR | 6.8Ω,1/16W | R6018 | NRSA63J-471X | MG RESISTOR | 470Ω,1/16W |
| R4864 | | NRSA6AJ-102W | MG RESISTOR | 1kΩ,1/16W | RA1001 | NRZ0034-102W | NETWORK RESISTOR | 1kΩ |
| R4865 | | NRSA6AJ-102W | MG RESISTOR | 1kΩ,1/16W | RA1002 | NRZ0034-102W | NETWORK RESISTOR | 1kΩ |
| R4866 | | NRSA6AJ-102W | MG RESISTOR | 1kΩ,1/16W | RA1003 | NRZ0034-102W | NETWORK RESISTOR | 1kΩ |
| R4867 | | NRSA6AJ-102W | MG RESISTOR | 1kΩ,1/16W | RA1004 | NRZ0034-102W | NETWORK RESISTOR | 1kΩ |
| R4868 | | NRSA6AJ-0R0W | MG RESISTOR | 0Ω,1/16W | RA1005 | NRZ0034-102W | NETWORK RESISTOR | 1kΩ |
| R4870 | | NRSA6AJ-271W | MG RESISTOR | 270Ω,1/16W | RA1006 | NRZ0034-104W | NETWORK RESISTOR | 100kΩ |
| R4871 | | NRSA6AJ-0R0W | MG RESISTOR | 0Ω,1/16W | RA1007 | NRZ0034-104W | NETWORK RESISTOR | 100kΩ |
| R4901 | | NRSA6AJ-103W | MG RESISTOR | 10kΩ,1/16W | RA1401 | NRZ0034-473W | NETWORK RESISTOR | 47kΩ |
| R4902 | | NRSA6AJ-683W | MG RESISTOR | 68kΩ,1/16W | RA1402 | NRZ0034-102W | NETWORK RESISTOR | 1kΩ |
| R4903 | | NRSA6AJ-823W | MG RESISTOR | 82kΩ,1/16W | RA1403 | NRZ0034-102W | NETWORK RESISTOR | 1kΩ |
| R4904 | | NRSA6AJ-243W | MG RESISTOR | 24kΩ,1/16W | RA4301 | NRZ0034-221W | NETWORK RESISTOR | 220Ω |
| R4905 | | NRSA6AJ-103W | MG RESISTOR | 10kΩ,1/16W | RA4302 | NRZ0034-221W | NETWORK RESISTOR | 220Ω |
| R4906 | | NRSA6AJ-561W | MG RESISTOR | 560Ω,1/16W | RA4303 | NRZ0034-221W | NETWORK RESISTOR | 220Ω |
| R4907 | | NRSA6AJ-684W | MG RESISTOR | 680kΩ,1/16W | RA4304 | NRZ0034-221W | NETWORK RESISTOR | 220Ω |
| R4908 | | NRSA6AJ-153W | MG RESISTOR | 15kΩ,1/16W | RA4305 | NRZ0034-221W | NETWORK RESISTOR | 220Ω |
| R4909 | | NRSA6AJ-185W | MG RESISTOR | 1.8MΩ,1/16W | RA4306 | NRZ0034-221W | NETWORK RESISTOR | 220Ω |
| R4910 | | NRSA6AJ-105W | MG RESISTOR | 1MΩ,1/16W | RA4307 | NRZ0034-221W | NETWORK RESISTOR | 220Ω |

| # | △ REF No. | PART No. | PART NAME, DESCRIPTION | # | △ REF No. | PART No. | PART NAME, DESCRIPTION |
|---|-----------|--------------|------------------------|---|-----------|--------------|------------------------|
| | RA4308 | NRZ0034-221W | NETWORK RESISTOR 220Ω | | C2015 | NCBA1HK-102W | CAPACITOR 0.001μF,50V |
| | C1001 | NBE90JM-106X | T CAPACITOR 10μF,6.3V | | C2016 | NCBA1HK-102W | CAPACITOR 0.001μF,50V |
| | C1002 | NCBA1AK-104W | CAPACITOR 0.1μF,10V | | C2017 | NCBA1CK-103W | CAPACITOR 0.01μF,16V |
| | C1003 | NBE90JM-106X | T CAPACITOR 10μF,6.3V | | C2018 | NCBA1CK-103W | CAPACITOR 0.01μF,16V |
| | C1004 | NCBA1AK-104W | CAPACITOR 0.1μF,10V | | C2019 | NCBA1CK-103W | CAPACITOR 0.01μF,16V |
| | C1005 | NBE90JM-106X | T CAPACITOR 10μF,6.3V | | C2020 | NCBA1CK-103W | CAPACITOR 0.01μF,16V |
| | C1006 | NCBA1AK-104W | CAPACITOR 0.1μF,10V | | C2021 | NCBA1CK-103W | CAPACITOR 0.01μF,16V |
| | C1007 | NCBA1CK-103W | CAPACITOR 0.01μF,16V | | C2022 | NCBA1CK-103W | CAPACITOR 0.01μF,16V |
| | C1008 | NCBA1CK-103W | CAPACITOR 0.01μF,16V | | C2023 | NCBA1CK-103W | CAPACITOR 0.01μF,16V |
| | C1009 | NDCA1HJ-130W | CAPACITOR 13pF,50V | | C2024 | NCBA1CK-103W | CAPACITOR 0.01μF,16V |
| | C1010 | NCBA1CK-103W | CAPACITOR 0.01μF,16V | | C2025 | NCBA1CK-103W | CAPACITOR 0.01μF,16V |
| | C1011 | NCBA1AK-104W | CAPACITOR 0.1μF,10V | | C2026 | NCBA1CK-103W | CAPACITOR 0.01μF,16V |
| | C1012 | NCBA1CK-103W | CAPACITOR 0.01μF,16V | | C2027 | NCBA1CK-103W | CAPACITOR 0.01μF,16V |
| | C1013 | NCBA1CK-103W | CAPACITOR 0.01μF,16V | | C2028 | NCBA1CK-103W | CAPACITOR 0.01μF,16V |
| | C1014 | NCBA1CK-103W | CAPACITOR 0.01μF,16V | | C2029 | NCBA1CK-103W | CAPACITOR 0.01μF,16V |
| | C1015 | NCBA1CK-103W | CAPACITOR 0.01μF,16V | | C2030 | NCBA1CK-103W | CAPACITOR 0.01μF,16V |
| | C1016 | NCBA1CK-103W | CAPACITOR 0.01μF,16V | | C2031 | NCBA1CK-103W | CAPACITOR 0.01μF,16V |
| | C1017 | NCBA1CK-103W | CAPACITOR 0.01μF,16V | | C2032 | NCBA1CK-103W | CAPACITOR 0.01μF,16V |
| | C1018 | NCBA1CK-103W | CAPACITOR 0.01μF,16V | | C2033 | NCBA1CK-103W | CAPACITOR 0.01μF,16V |
| | C1019 | NCBA1CK-103W | CAPACITOR 0.01μF,16V | | C2034 | NCBA1CK-103W | CAPACITOR 0.01μF,16V |
| | C1020 | NCBA1CK-103W | CAPACITOR 0.01μF,16V | | C2035 | NCB11CK-105X | CAPACITOR 1μF,16V |
| | C1021 | NCBA1AK-104W | CAPACITOR 0.1μF,10V | | C2036 | NCBA1CK-103W | CAPACITOR 0.01μF,16V |
| | C1025 | NCBA1AK-104W | CAPACITOR 0.1μF,10V | | C2037 | NCBA1CK-103W | CAPACITOR 0.01μF,16V |
| | C1026 | NCBA1CK-103W | CAPACITOR 0.01μF,16V | | C2038 | NCBA1CK-103W | CAPACITOR 0.01μF,16V |
| | C1027 | NCBA1CK-103W | CAPACITOR 0.01μF,16V | | C2039 | NCBA1CK-103W | CAPACITOR 0.01μF,16V |
| | C1028 | NCBA1CK-103W | CAPACITOR 0.01μF,16V | | C2040 | NCBA1CK-103W | CAPACITOR 0.01μF,16V |
| | C1029 | NCBA1CK-103W | CAPACITOR 0.01μF,16V | | C2041 | NCBA1CK-103W | CAPACITOR 0.01μF,16V |
| | C1030 | NCBA1AK-104W | CAPACITOR 0.1μF,10V | | C2042 | NCBA1CK-103W | CAPACITOR 0.01μF,16V |
| | C1031 | NCBA1CK-103W | CAPACITOR 0.01μF,16V | | C2043 | NCBA1CK-103W | CAPACITOR 0.01μF,16V |
| | C1032 | NCB30JK-105X | CAPACITOR 1μF,6.3V | | C3002 | NCBA1AK-104W | CAPACITOR 0.1μF,10V |
| | C1201 | NCBA1AK-104W | CAPACITOR 0.1μF,10V | | C3005 | NCBA1AK-104W | CAPACITOR 0.1μF,10V |
| | C1202 | NCBA1AK-104W | CAPACITOR 0.1μF,10V | | C3006 | NCBA1AK-104W | CAPACITOR 0.1μF,10V |
| | C1204 | NCB21AK-105X | CAPACITOR 1μF,10V | | C3008 | NCBA1AK-104W | CAPACITOR 0.1μF,10V |
| | C1302 | NCBA1CK-103W | CAPACITOR 0.01μF,16V | | C3009 | NCBA1AK-104W | CAPACITOR 0.1μF,10V |
| | C1401 | NBE90JM-106X | T CAPACITOR 10μF,6.3V | | C3010 | NCBA1AK-104W | CAPACITOR 0.1μF,10V |
| | C1402 | NBE90JM-106X | T CAPACITOR 10μF,6.3V | | C3012 | NCBA1AK-104W | CAPACITOR 0.1μF,10V |
| | C1405 | NCFA1AZ-104W | CAPACITOR 0.1μF,10V | | C3014 | NDCA1HJ-330W | CAPACITOR 33pF,50V |
| | C1406 | NCFA1AZ-104W | CAPACITOR 0.1μF,10V | | C3015 | NCBA1HK-102W | CAPACITOR 0.001μF,50V |
| | C1408 | NCFA1AZ-104W | CAPACITOR 0.1μF,10V | | C3016 | NCBA1AK-104W | CAPACITOR 0.1μF,10V |
| | C1409 | NCFA1AZ-104W | CAPACITOR 0.1μF,10V | | C3017 | NCB30JK-105X | CAPACITOR 1μF,6.3V |
| | C1410 | NCFA1AZ-104W | CAPACITOR 0.1μF,10V | | C3018 | NCBA1EK-472W | CAPACITOR 0.0047μF,25V |
| | C1411 | NCFA1AZ-104W | CAPACITOR 0.1μF,10V | | C3019 | NDCA1EJ-271W | CAPACITOR 270pF,25V |
| | C1412 | NCFA1AZ-104W | CAPACITOR 0.1μF,10V | | C3021 | NCBA1AK-104W | CAPACITOR 0.1μF,10V |
| | C1413 | NCFA1AZ-104W | CAPACITOR 0.1μF,10V | | C3022 | NCBA1AK-104W | CAPACITOR 0.1μF,10V |
| | C1414 | NCBA1CK-103W | CAPACITOR 0.01μF,16V | | C3023 | NCBA1AK-104W | CAPACITOR 0.1μF,10V |
| | C1415 | NCBA1CK-103W | CAPACITOR 0.01μF,16V | | C3024 | NDCA1HJ-100W | CAPACITOR 10pF,50V |
| | C1416 | NCBA1CK-103W | CAPACITOR 0.01μF,16V | | C3025 | NDCA1HJ-100W | CAPACITOR 10pF,50V |
| | C1417 | NCBA1CK-223W | CAPACITOR 0.022μF,16V | | C3026 | NCBA1AK-104W | CAPACITOR 0.1μF,10V |
| | C1418 | NCBA1CK-223W | CAPACITOR 0.022μF,16V | | C3027 | NCBA1AK-104W | CAPACITOR 0.1μF,10V |
| | C1419 | NCBA1CK-223W | CAPACITOR 0.022μF,16V | | C3028 | NCBA1AK-104W | CAPACITOR 0.1μF,10V |
| | C1420 | NCBA1CK-223W | CAPACITOR 0.022μF,16V | | C3029 | NCBA1AK-104W | CAPACITOR 0.1μF,10V |
| | C2003 | NCBA1CK-103W | CAPACITOR 0.01μF,16V | | C3030 | NCBA1AK-104W | CAPACITOR 0.1μF,10V |
| | C2004 | NCBA1CK-103W | CAPACITOR 0.01μF,16V | | C3031 | NCBA1AK-104W | CAPACITOR 0.1μF,10V |
| | C2005 | NCBA1HK-102W | CAPACITOR 0.001μF,50V | | C3032 | NDCA1HJ-151W | CAPACITOR 150pF,50V |
| | C2006 | NCBA1CK-103W | CAPACITOR 0.01μF,16V | | C3034 | NCBA1AK-473W | CAPACITOR 0.047μF,10V |
| | C2007 | NCBA1CK-103W | CAPACITOR 0.01μF,16V | | C3035 | NCBA1AK-104W | CAPACITOR 0.1μF,10V |
| | C2008 | NCBA1CK-103W | CAPACITOR 0.01μF,16V | | C3037 | NCB30JK-105X | CAPACITOR 1μF,6.3V |
| | C2009 | NCBA1CK-103W | CAPACITOR 0.01μF,16V | | C3038 | NCBA1AK-104W | CAPACITOR 0.1μF,10V |
| | C2010 | NCBA1CK-103W | CAPACITOR 0.01μF,16V | | C3039 | NBE20JM-106X | T CAPACITOR 10μF,6.3V |
| | C2011 | NCBA1CK-103W | CAPACITOR 0.01μF,16V | | C3040 | NBE20JM-106X | T CAPACITOR 10μF,6.3V |
| | C2012 | NCBA1HK-102W | CAPACITOR 0.001μF,50V | | C3041 | NCBA1AK-104W | CAPACITOR 0.1μF,10V |
| | C2013 | NCBA1HK-102W | CAPACITOR 0.001μF,50V | | C3042 | NCB30JK-105X | CAPACITOR 1μF,6.3V |
| | C2014 | NCBA1HK-102W | CAPACITOR 0.001μF,50V | | C3044 | NBE20JM-106X | T CAPACITOR 10μF,6.3V |

| # | △ REF No. | PART No. | PART NAME, DESCRIPTION | # | △ REF No. | PART No. | PART NAME, DESCRIPTION |
|-------|-----------|--------------|------------------------|-------|-----------|--------------|------------------------|
| C3045 | | NCBA1AK-104W | CAPACITOR 0.1μF,10V | C3965 | | NCBA1HK-102W | CAPACITOR 0.001μF,50V |
| C3046 | | NCB30JK-105X | CAPACITOR 1μF,6.3V | C3967 | | NCBA1CK-103W | CAPACITOR 0.01μF,16V |
| C3048 | | NCBA1AK-104W | CAPACITOR 0.1μF,10V | C3968 | | NCBA1CK-103W | CAPACITOR 0.01μF,16V |
| C3052 | | NCBA1AK-104W | CAPACITOR 0.1μF,10V | C4101 | | NCF31EZ-104X | CAPACITOR 0.1μF,25V |
| C3053 | | NCBA1AK-104W | CAPACITOR 0.1μF,10V | C4102 | | NBP41EM-475X | T CAPACITOR 4.7μF,25V |
| C3318 | | NCBA1CK-103W | CAPACITOR 0.01μF,16V | C4103 | | NCF31EZ-104X | CAPACITOR 0.1μF,25V |
| C3319 | | NCBA1CK-103W | CAPACITOR 0.01μF,16V | C4104 | | NCBA1AK-104W | CAPACITOR 0.1μF,10V |
| C3320 | | NCB21AK-105X | CAPACITOR 1μF,10V | C4105 | | NBE41AM-476X | T CAPACITOR 47μF,10V |
| C3325 | | NDCA1HJ-9R0W | CAPACITOR 9pF,50V | C4106 | | NCBA1AK-104W | CAPACITOR 0.1μF,10V |
| C3326 | | NDCA1HJ-9R0W | CAPACITOR 9pF,50V | C4107 | | NCBA1AK-104W | CAPACITOR 0.1μF,10V |
| C3328 | | NDCA1HJ-470W | CAPACITOR 47pF,50V | C4108 | | NBP21VM-105X | T CAPACITOR 1μF,35V |
| C3329 | | NCBA1HK-102W | CAPACITOR 0.001μF,50V | C4109 | | NCF31EZ-104X | CAPACITOR 0.1μF,25V |
| C3330 | | NCBA1AK-104W | CAPACITOR 0.1μF,10V | C4201 | | NBE40JM-476X | T CAPACITOR 47μF,6.3V |
| C3331 | | NCBA1HK-102W | CAPACITOR 0.001μF,50V | C4202 | | NBE20GM-476X | T CAPACITOR 47μF,4.0V |
| C3332 | | NDCA1HJ-390W | CAPACITOR 39pF,50V | C4203 | | NCBA1CK-103W | CAPACITOR 0.01μF,16V |
| C3701 | | NCBA1AK-104W | CAPACITOR 0.1μF,10V | C4204 | | NCBA1AK-104W | CAPACITOR 0.1μF,10V |
| C3702 | | NCBA1CK-103W | CAPACITOR 0.01μF,16V | C4205 | | NBE20GM-476X | T CAPACITOR 47μF,4.0V |
| C3703 | | NCBA1CK-103W | CAPACITOR 0.01μF,16V | C4207 | | NBE90JM-106X | T CAPACITOR 10μF,6.3V |
| C3704 | | NBE20JM-106X | T CAPACITOR 10μF,6.3V | C4208 | | NCBA1AK-104W | CAPACITOR 0.1μF,10V |
| C3707 | | NBE20GM-226X | T CAPACITOR 22μF,4.0V | C4209 | | NCBA1AK-104W | CAPACITOR 0.1μF,10V |
| C3708 | | NBE40GM-107X | T CAPACITOR 100μF,4.0V | C4210 | | NCB30JK-105X | CAPACITOR 1μF,6.3V |
| C3709 | | NCBA1CK-103W | CAPACITOR 0.01μF,16V | C4211 | | NCB30JK-105X | CAPACITOR 1μF,6.3V |
| C3710 | | NCFA1AZ-104W | CAPACITOR 0.1μF,10V | C4212 | | NCBA1CK-123W | CAPACITOR 0.012μF,16V |
| C3711 | | NCFA1AZ-104W | CAPACITOR 0.1μF,10V | C4213 | | NCB30JK-105X | CAPACITOR 1μF,6.3V |
| C3712 | | NCBA1CK-103W | CAPACITOR 0.01μF,16V | C4214 | | NCBA1AK-104W | CAPACITOR 0.1μF,10V |
| C3713 | | NCBA1CK-103W | CAPACITOR 0.01μF,16V | C4215 | | NCB30JK-105X | CAPACITOR 1μF,6.3V |
| C3714 | | NBE20JM-106X | T CAPACITOR 10μF,6.3V | C4216 | | NCB30JK-105X | CAPACITOR 1μF,6.3V |
| C3715 | | NCBA1CK-103W | CAPACITOR 0.01μF,16V | C4217 | | NCB30JK-105X | CAPACITOR 1μF,6.3V |
| C3716 | | NCB30JK-105X | CAPACITOR 1μF,6.3V | C4218 | | NCBA1AK-104W | CAPACITOR 0.1μF,10V |
| C3721 | | NBE20JM-226X | T CAPACITOR 22μF,6.3V | C4219 | | NCBA1AK-104W | CAPACITOR 0.1μF,10V |
| C3722 | | NCF31AZ-105X | CAPACITOR 1μF,10V | C4220 | | NCBA1AK-104W | CAPACITOR 0.1μF,10V |
| C3723 | | NBE20JM-106X | T CAPACITOR 10μF,6.3V | C4221 | | NCBA1CK-103W | CAPACITOR 0.01μF,16V |
| C3724 | | NCBA1CK-103W | CAPACITOR 0.01μF,16V | C4222 | | NCBA1CK-103W | CAPACITOR 0.01μF,16V |
| C3901 | | NCBA1AK-104W | CAPACITOR 0.1μF,10V | C4223 | | NCBA1CK-103W | CAPACITOR 0.01μF,16V |
| C3902 | | NCBA1AK-104W | CAPACITOR 0.1μF,10V | C4224 | | NCBA1CK-103W | CAPACITOR 0.01μF,16V |
| C3903 | | NCBA1AK-104W | CAPACITOR 0.1μF,10V | C4225 | | NCBA1CK-103W | CAPACITOR 0.01μF,16V |
| C3904 | | NCBA1AK-104W | CAPACITOR 0.1μF,10V | C4226 | | NCBA1CK-103W | CAPACITOR 0.01μF,16V |
| C3905 | | NCBA1AK-104W | CAPACITOR 0.1μF,10V | C4301 | | NCB30JK-105X | CAPACITOR 1μF,6.3V |
| C3906 | | NCBA1AK-104W | CAPACITOR 0.1μF,10V | C4302 | | NBE90JM-106X | T CAPACITOR 10μF,6.3V |
| C3907 | | NCBA1AK-104W | CAPACITOR 0.1μF,10V | C4303 | | NCBA1AK-104W | CAPACITOR 0.1μF,10V |
| C3908 | | NCBA1AK-104W | CAPACITOR 0.1μF,10V | C4304 | | NBE90JM-106X | T CAPACITOR 10μF,6.3V |
| C3909 | | NCBA1AK-104W | CAPACITOR 0.1μF,10V | C4306 | | NCB30JK-105X | CAPACITOR 1μF,6.3V |
| C3910 | | NCBA1AK-104W | CAPACITOR 0.1μF,10V | C4307 | | NBE90JM-106X | T CAPACITOR 10μF,6.3V |
| C3911 | | NCBA1AK-104W | CAPACITOR 0.1μF,10V | C4308 | | NCBA1AK-104W | CAPACITOR 0.1μF,10V |
| C3912 | | NCBA1AK-104W | CAPACITOR 0.1μF,10V | C4309 | | NCBA1AK-104W | CAPACITOR 0.1μF,10V |
| C3913 | | NCBA1AK-104W | CAPACITOR 0.1μF,10V | C4310 | | NBG40GM-226X | T CAPACITOR 22μF,4.0V |
| C3914 | | NCBA1AK-104W | CAPACITOR 0.1μF,10V | C4312 | | NCBA1AK-104W | CAPACITOR 0.1μF,10V |
| C3916 | | NBE20JM-106X | T CAPACITOR 10μF,6.3V | C4313 | | NCBA1AK-104W | CAPACITOR 0.1μF,10V |
| C3917 | | NCBA1AK-104W | CAPACITOR 0.1μF,10V | C4315 | | NCBA1AK-104W | CAPACITOR 0.1μF,10V |
| C3919 | | NCB21CK-105X | CAPACITOR 1μF,16V | C4316 | | NCBA1AK-104W | CAPACITOR 0.1μF,10V |
| C3920 | | NCB21CK-105X | CAPACITOR 1μF,16V | C4317 | | NCBA1AK-104W | CAPACITOR 0.1μF,10V |
| C3951 | | NBE90JM-106X | T CAPACITOR 10μF,6.3V | C4318 | | NCBA1AK-104W | CAPACITOR 0.1μF,10V |
| C3952 | | NCB30JK-105X | CAPACITOR 1μF,6.3V | C4319 | | NCBA1AK-104W | CAPACITOR 0.1μF,10V |
| C3954 | | NCBA1AK-104W | CAPACITOR 0.1μF,10V | C4320 | | NCBA1AK-104W | CAPACITOR 0.1μF,10V |
| C3955 | | NDCA1HJ-3R0W | CAPACITOR 3pF,50V | C4321 | | NCBA1AK-104W | CAPACITOR 0.1μF,10V |
| C3956 | | NDCA1HJ-5R0W | CAPACITOR 5pF,50V | C4322 | | NCBA1AK-104W | CAPACITOR 0.1μF,10V |
| C3957 | | NDCA1HJ-330W | CAPACITOR 33pF,50V | C4323 | | NBE90JM-106X | T CAPACITOR 10μF,6.3V |
| C3958 | | NCB20JM-475X | CAPACITOR 4.7μF,6.3V | C4351 | | NCBA1AK-104W | CAPACITOR 0.1μF,10V |
| C3959 | | NCBA1CK-103W | CAPACITOR 0.01μF,16V | C4352 | | NCBA1AK-104W | CAPACITOR 0.1μF,10V |
| C3961 | | NCBA1HK-102W | CAPACITOR 0.001μF,50V | C4353 | | NCB30JK-105X | CAPACITOR 1μF,6.3V |
| C3962 | | NDCA1HJ-3R0W | CAPACITOR 3pF,50V | C4355 | | NCB30JK-105X | CAPACITOR 1μF,6.3V |
| C3963 | | NDCA1HJ-5R0W | CAPACITOR 5pF,50V | C4357 | | NCB30JK-105X | CAPACITOR 1μF,6.3V |
| C3964 | | NDCA1HJ-330W | CAPACITOR 33pF,50V | C4359 | | NCB30JK-105X | CAPACITOR 1μF,6.3V |

| # | △ REF No. | PART No. | PART NAME, DESCRIPTION | # | △ REF No. | PART No. | PART NAME, DESCRIPTION |
|-------|-----------|--------------|------------------------|-------|-----------|--------------|------------------------|
| C4361 | | NCBA1AK-104W | CAPACITOR 0.1μF,10V | C5009 | | NCBA1AK-104W | CAPACITOR 0.1μF,10V |
| C4362 | | NCBA1AK-104W | CAPACITOR 0.1μF,10V | C5011 | | NCBA1AK-104W | CAPACITOR 0.1μF,10V |
| C4363 | | NCBA1AK-104W | CAPACITOR 0.1μF,10V | C5012 | | NCBA1AK-104W | CAPACITOR 0.1μF,10V |
| C4364 | | NCBA1AK-104W | CAPACITOR 0.1μF,10V | C5013 | | NCBA1AK-104W | CAPACITOR 0.1μF,10V |
| C4365 | | NBE90JM-106X | T CAPACITOR 10μF,6.3V | C5014 | | NBM90JM-226X | T CAPACITOR 22μF,6.3V |
| C4401 | | NBE90GM-226X | T CAPACITOR 22μF,4.0V | C5017 | | NCBA1AK-104W | CAPACITOR 0.1μF,10V |
| C4402 | | NCBA1CK-103W | CAPACITOR 0.01μF,16V | C5018 | | NCB30JK-105X | CAPACITOR 1μF,6.3V |
| C4801 | | NBE21AM-106X | T CAPACITOR 10μF,10V | C5019 | | NCB30JK-105X | CAPACITOR 1μF,6.3V |
| C4802 | | NCFA1AZ-104W | CAPACITOR 0.1μF,10V | C5221 | | NCF31EZ-104X | CAPACITOR 0.1μF,25V |
| C4803 | | NBE90JM-106X | T CAPACITOR 10μF,6.3V | C5222 | | NCBA1AK-104W | CAPACITOR 0.1μF,10V |
| C4804 | | NCFA1AZ-104W | CAPACITOR 0.1μF,10V | C5223 | | NBP41EM-475X | T CAPACITOR 4.7μF,25V |
| C4805 | | NCFA1AZ-104W | CAPACITOR 0.1μF,10V | C5224 | | NBE41AM-476X | T CAPACITOR 47μF,10V |
| C4806 | | NCFA1AZ-104W | CAPACITOR 0.1μF,10V | C5225 | | NBE41AM-476X | T CAPACITOR 47μF,10V |
| C4808 | | NCB30JK-105X | CAPACITOR 1μF,6.3V | C5227 | | NCF31EZ-104X | CAPACITOR 0.1μF,25V |
| C4809 | | NCFA1AZ-104W | CAPACITOR 0.1μF,10V | C5228 | | NCBA1AK-104W | CAPACITOR 0.1μF,10V |
| C4810 | | NCFA1HZ-103W | CAPACITOR 0.01μF,50V | C5230 | | NBE41AM-476X | T CAPACITOR 47μF,10V |
| C4811 | | NCFA1HZ-103W | CAPACITOR 0.01μF,50V | C5231 | | NBE41AM-476X | T CAPACITOR 47μF,10V |
| C4812 | | NCFA1AZ-104W | CAPACITOR 0.1μF,10V | C5232 | | NBE41AM-476X | T CAPACITOR 47μF,10V |
| C4813 | | NCFA1AZ-104W | CAPACITOR 0.1μF,10V | C6001 | | NCBA1AK-104W | CAPACITOR 0.1μF,10V |
| C4814 | | NCFA1AZ-104W | CAPACITOR 0.1μF,10V | C6002 | | NCBA1CK-103W | CAPACITOR 0.01μF,16V |
| C4818 | | NCFA1AZ-104W | CAPACITOR 0.1μF,10V | C6003 | | NCBA1AK-104W | CAPACITOR 0.1μF,10V |
| C4819 | | NCB30JK-105X | CAPACITOR 1μF,6.3V | C6004 | | NBE90JM-106X | T CAPACITOR 10μF,6.3V |
| C4820 | | NCFA1AZ-104W | CAPACITOR 0.1μF,10V | C6005 | | NBP21CM-685X | T CAPACITOR 6.8μF,16V |
| C4821 | | NCFA1AZ-104W | CAPACITOR 0.1μF,10V | C6006 | | NCF31AZ-105X | CAPACITOR 1μF,10V |
| C4851 | | NBE90JM-106X | T CAPACITOR 10μF,6.3V | C6007 | | NBE90JM-106X | T CAPACITOR 10μF,6.3V |
| C4852 | | NCFA1AZ-104W | CAPACITOR 0.1μF,10V | C6008 | | NCBA1AK-104W | CAPACITOR 0.1μF,10V |
| C4853 | | NBE91AM-335X | T CAPACITOR 3.3μF,10V | C6009 | | NCBA1CK-103W | CAPACITOR 0.01μF,16V |
| C4854 | | NBE21AM-106X | T CAPACITOR 10μF,10V | L1001 | | NQR0265-001X | FERRITE BEAD |
| C4855 | | NCB31CK-104X | CAPACITOR 0.1μF,16V | L1002 | | NQR0265-001X | FERRITE BEAD |
| C4858 | | NDCA1HJ-330W | CAPACITOR 33pF,50V | L1003 | | NQR0265-001X | FERRITE BEAD |
| C4859 | | NCBA1HK-102W | CAPACITOR 0.001μF,50V | L1201 | | NQL315K-100X | COIL 10μH |
| C4860 | | NCBA1HK-102W | CAPACITOR 0.001μF,50V | L1401 | | NQR0006-001X | FERRITE BEAD |
| C4861 | | NCBA1HK-102W | CAPACITOR 0.001μF,50V | L1402 | | NRSA02J-0R0X | MG RESISTOR 0Ω,1/10W |
| C4862 | | NCBA1HK-102W | CAPACITOR 0.001μF,50V | L2001 | | NQR0006-001X | FERRITE BEAD |
| C4864 | | NBE90JM-106X | T CAPACITOR 10μF,6.3V | L3001 | | NQR0006-001X | FERRITE BEAD |
| C4865 | | NCBA1AK-104W | CAPACITOR 0.1μF,10V | L3002 | | NQR0006-001X | FERRITE BEAD |
| C4901 | | NBE90JM-106X | T CAPACITOR 10μF,6.3V | L3003 | | NQR0006-001X | FERRITE BEAD |
| C4902 | | NCFA1AZ-104W | CAPACITOR 0.1μF,10V | L3004 | | NQR0006-001X | FERRITE BEAD |
| C4903 | | NCFA1AZ-104W | CAPACITOR 0.1μF,10V | L3005 | | NQR0006-001X | FERRITE BEAD |
| C4906 | | NCB30JK-105X | CAPACITOR 1μF,6.3V | L3006 | | NQR0006-001X | FERRITE BEAD |
| C4907 | | NCFA1AZ-104W | CAPACITOR 0.1μF,10V | L3009 | | NQL085J-2R2X | COIL 2.2μH |
| C4908 | | NCFA1HZ-103W | CAPACITOR 0.01μF,50V | L3305 | | NQR0006-001X | FERRITE BEAD |
| C4909 | | NCFA1AZ-104W | CAPACITOR 0.1μF,10V | L3312 | | NQL085J-120X | COIL 12μH |
| C4910 | | NCFA1HZ-103W | CAPACITOR 0.01μF,50V | L3313 | | NQL085J-100X | COIL 10μH |
| C4911 | | NCFA1HZ-103W | CAPACITOR 0.01μF,50V | L3701 | | NQL302N-100X | COIL 10μH |
| C4912 | | NCBA1HK-102W | CAPACITOR 0.001μF,50V | L3901 | | NQR0006-001X | FERRITE BEAD |
| C4913 | | NCFA1AZ-104W | CAPACITOR 0.1μF,10V | L3902 | | NQR0305-001X | FERRITE BEAD |
| C4914 | | NCFA1AZ-104W | CAPACITOR 0.1μF,10V | L3903 | | NQR0305-001X | FERRITE BEAD |
| C4915 | | NCBA1HK-331W | CAPACITOR 330pF,50V | L3951 | | NQL302N-100X | COIL 10μH |
| C4917 | | NCBA1HK-331W | CAPACITOR 330pF,50V | L3952 | | NQL085J-6R8X | COIL 6.8μH |
| C4919 | | NCB30JK-105X | CAPACITOR 1μF,6.3V | L3953 | | NQL085J-6R8X | COIL 6.8μH |
| C4920 | | NCFA1AZ-104W | CAPACITOR 0.1μF,10V | L4101 | | NQR0129-002X | FERRITE BEAD |
| C4921 | | NCFA1AZ-104W | CAPACITOR 0.1μF,10V | L4102 | | NQL045K-100X | COIL 10μH |
| C4922 | | NBE21AM-106X | T CAPACITOR 10μF,10V | L4103 | | NQR0129-002X | FERRITE BEAD |
| C4923 | | NCFA1AZ-104W | CAPACITOR 0.1μF,10V | L4104 | | NQL045K-100X | COIL 10μH |
| C5001 | | NCBA1AK-104W | CAPACITOR 0.1μF,10V | L4201 | | NQR0265-001X | FERRITE BEAD |
| C5002 | | NCBA1AK-104W | CAPACITOR 0.1μF,10V | L4202 | | NQL402M-100X | COIL 10μH |
| C5003 | | NBE40JM-476X | T CAPACITOR 47μF,6.3V | L4203 | | NQR0265-001X | FERRITE BEAD |
| C5004 | | NCBA1AK-104W | CAPACITOR 0.1μF,10V | L4301 | | NQR0265-001X | FERRITE BEAD |
| C5005 | | NCBA1AK-104W | CAPACITOR 0.1μF,10V | L4302 | | NQR0265-001X | FERRITE BEAD |
| C5006 | | NCBA1AK-104W | CAPACITOR 0.1μF,10V | L4303 | | NQR0265-001X | FERRITE BEAD |
| C5007 | | NCB30JK-105X | CAPACITOR 1μF,6.3V | L4305 | | NQR0265-001X | FERRITE BEAD |
| C5008 | | NBE90JM-106X | T CAPACITOR 10μF,6.3V | L4306 | | NQR0129-002X | FERRITE BEAD |

| # △ REF No. | PART No. | PART NAME, DESCRIPTION | |
|-------------|---------------|--------------------------------|------|
| L4307 | NQR0265-001X | FERRITE BEAD | |
| L4351 | NQL402M-100X | COIL | 10μH |
| L4401 | NQR0006-001X | FERRITE BEAD | |
| L4801 | NQL302N-100X | COIL | 10μH |
| L4802 | NQL302N-100X | COIL | 10μH |
| L4851 | NQR0129-002X | FERRITE BEAD | |
| L4852 | NQL315K-100X | COIL | 10μH |
| L4853 | NQL315K-100X | COIL | 10μH |
| L4901 | NQL315K-100X | COIL | 10μH |
| L4902 | NQL315K-100X | COIL | 10μH |
| L5001 | NQR0129-002X | FERRITE BEAD | |
| L5002 | NQL045K-100X | COIL | 10μH |
| L5003 | NQR0129-002X | FERRITE BEAD | |
| L5004 | NQR0129-002X | FERRITE BEAD | |
| L5005 | NQR0129-002X | FERRITE BEAD | |
| L5201 | NQR0129-002X | FERRITE BEAD | |
| L5202 | NQR0129-002X | FERRITE BEAD | |
| L5203 | NQL045K-100X | COIL | 10μH |
| L5204 | NQL045K-100X | COIL | 10μH |
| L5207 | NQL402M-100X | COIL | 10μH |
| L5208 | NQL402M-100X | COIL | 10μH |
| L6001 | NQL402M-100X | COIL | 10μH |
| X1001 | NAX0450-001X | C OSCILLATOR | |
| X1002 | NAX0267-001X | CRYSTAL RESONATOR | |
| X3002 | NAX0206-001X | CRYSTAL RESONATOR | |
| X3301 | NAX0169-001X | CRYSTAL RESONATOR | |
| X4301 | NAX0332-001X | CXO | |
| WR1 | WJT0040-001A | E-CARD WIRE,CN113-EJECT CN2422 | |
| WR2 | WJV0042-001A | E-PRIMARY WIRE,TL2001-TL4202 | |
| J602 | NNZ0041-001X | D CONNECTOR | |
| CN101 | QGA1002F1-02X | CONNECTOR | |
| CN102 | QGF0513F1-20X | FPC CONNECTOR | |
| CN103 | QGA1001F1-02X | CONNECTOR | |
| CN104 | QGF0301F1-39X | FPC CONNECTOR | |
| CN105 | QGB0403M1-C0X | CONNECTOR | |
| CN106 | QGB0404M1-80X | CONNECTOR | |
| CN107 | QGB0509M1-30X | CONNECTOR | |
| CN108 | QGB0512L2-50X | CONNECTOR | |
| CN109 | QGB0507L1-80X | CONNECTOR | |
| CN110 | QGF0517F2-22X | FPC CONNECTOR | |
| CN111 | QGF0517F2-24X | FPC CONNECTOR | |
| CN112 | QGB0402J1-80X | CONNECTOR | |
| CN113 | QGF0501F1-13X | FPC CONNECTOR | |
| OT1 | LY30029-0H1A | SPACER(A) | |
| OT2 | LY30016-0P9A | SPACER-A | |